

## Quick-fit couplings

with radial off-set compensation

### SPECIFICATION

#### Types

- Type **A**: with male thread
- Type **B**: with female thread

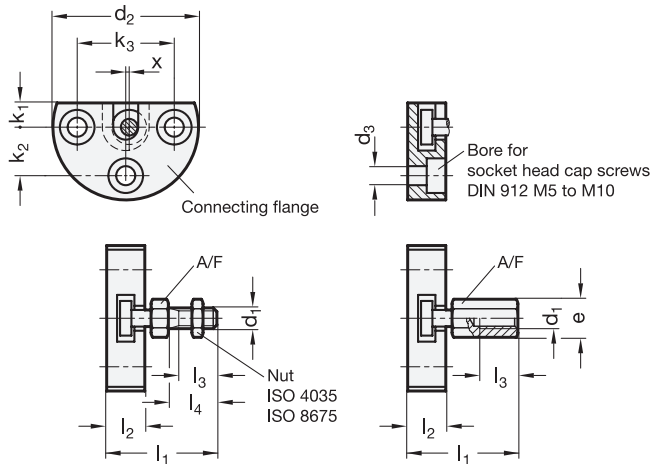
Steel

- tempered
- phosphated

### INFORMATION

Quick-fit couplings GN 240.1 have been designed for the purpose of compensating a radial shaft off-set ( $x$ ). A typical application is the axial link to a piston rod of a cylinder operating in any type of fixture or system.

The coupling is **not** designed for the transfer of torque.



### GN 240.1

| Description         | d1       | d2 | d3  | e ≈  | k1   | k2   | k3 | l1 ≈ | l2   | l3 min. | l4 | A/F | x<br>Max. shaft<br>off set | Max. pull-/<br>push<br>load in kN | ⚖   |
|---------------------|----------|----|-----|------|------|------|----|------|------|---------|----|-----|----------------------------|-----------------------------------|-----|
| GN 240.1-M6-A       | M6       | 42 | 5.5 | -    | 7    | 14   | 28 | 30.5 | 11   | 11      | 14 | 10  | 0.6                        | 2.5                               | 73  |
| GN 240.1-M8-A       | M8       | 48 | 6.5 | -    | 8    | 16   | 32 | 35.5 | 13   | 13-5    | 17 | 13  | 0.7                        | 4.5                               | 116 |
| GN 240.1-M10-A      | M10      | 50 | 6.5 | -    | 9    | 17   | 34 | 43   | 16   | 16      | 20 | 17  | 0.7                        | 6.5                               | 173 |
| GN 240.1-M10x1.25-A | M10x1.25 | 50 | 6.5 | -    | 9    | 17   | 34 | 43   | 16   | 16      | 20 | 17  | 0.7                        | 6.5                               | 174 |
| GN 240.1-M12-A      | M12      | 55 | 6.5 | -    | 10   | 19   | 38 | 53   | 20.5 | 21      | 25 | 19  | 0.8                        | 10                                | 261 |
| GN 240.1-M12x1.25-A | M12x1.25 | 55 | 6.5 | -    | 10   | 19   | 38 | 53   | 20.5 | 21      | 25 | 19  | 0.8                        | 10                                | 262 |
| GN 240.1-M16-A      | M16      | 65 | 9   | -    | 12.5 | 22.5 | 45 | 64   | 23   | 25      | 30 | 24  | 1                          | 18                                | 431 |
| GN 240.1-M16x1.5-A  | M16x1.5  | 65 | 9   | -    | 12.5 | 22.5 | 45 | 64   | 23   | 25      | 30 | 24  | 1                          | 18                                | 433 |
| GN 240.1-M20-A      | M20      | 80 | 11  | -    | 17   | 28   | 56 | 74   | 26   | 29      | 35 | 30  | 1                          | 30                                | 815 |
| GN 240.1-M20x1.5-A  | M20x1.5  | 80 | 11  | -    | 17   | 28   | 56 | 74   | 26   | 29      | 35 | 30  | 1                          | 30                                | 816 |
| GN 240.1-M6-B       | M6       | 42 | 5.5 | 11   | 7    | 14   | 28 | 30.5 | 11   | 11      | -  | 10  | 0.6                        | 2.5                               | 76  |
| GN 240.1-M8-B       | M8       | 48 | 6.5 | 14.5 | 8    | 16   | 32 | 35.5 | 13   | 13.5    | -  | 13  | 0.7                        | 4.5                               | 122 |
| GN 240.1-M10-B      | M10      | 50 | 6.5 | 19   | 9    | 17   | 34 | 43   | 16   | 15      | -  | 17  | 0.7                        | 6.5                               | 184 |
| GN 240.1-M10x1.25-B | M10x1.25 | 50 | 6.5 | 19   | 9    | 17   | 34 | 43   | 16   | 15      | -  | 17  | 0.7                        | 6.5                               | 184 |
| GN 240.1-M12-B      | M12      | 55 | 6.5 | 21   | 10   | 19   | 38 | 53   | 20.5 | 17.5    | -  | 19  | 0.8                        | 10                                | 276 |
| GN 240.1-M12x1.25-B | M12x1.25 | 55 | 6.5 | 21   | 10   | 19   | 38 | 53   | 20.5 | 17.5    | -  | 19  | 0.8                        | 10                                | 276 |
| GN 240.1-M16-B      | M16      | 65 | 9   | 27   | 12.5 | 22.5 | 45 | 64   | 23   | 22      | -  | 24  | 1                          | 18                                | 449 |
| GN 240.1-M16x1.5-B  | M16x1.5  | 65 | 9   | 27   | 12.5 | 22.5 | 45 | 64   | 23   | 22      | -  | 24  | 1                          | 18                                | 449 |
| GN 240.1-M20-B      | M20      | 80 | 11  | 34   | 17   | 28   | 56 | 74   | 26   | 25      | -  | 30  | 1                          | 30                                | 845 |
| GN 240.1-M20x1.5-B  | M20x1.5  | 80 | 11  | 34   | 17   | 28   | 56 | 74   | 26   | 25      | -  | 30  | 1                          | 30                                | 845 |